

THULE Ocean 80

688/681315 (Thule GmbH no.) 3071-320-742 (Thule AB no.)

5 års garanti
years warranty
Jahre Garantie
ans de garantie

Technical approval:
TÜV/GS DIN 75302 (Germany)

Materials:
Special UV-protected and impact resistant box material.

Colour:
Lid - Grey
Bottom - Anthracite


Method of manufacture:
Vacuum forming

Assembly:
80 mm U-bolt mounting system, hole pattern front and rear. Carrier bar distance 450-900 mm.

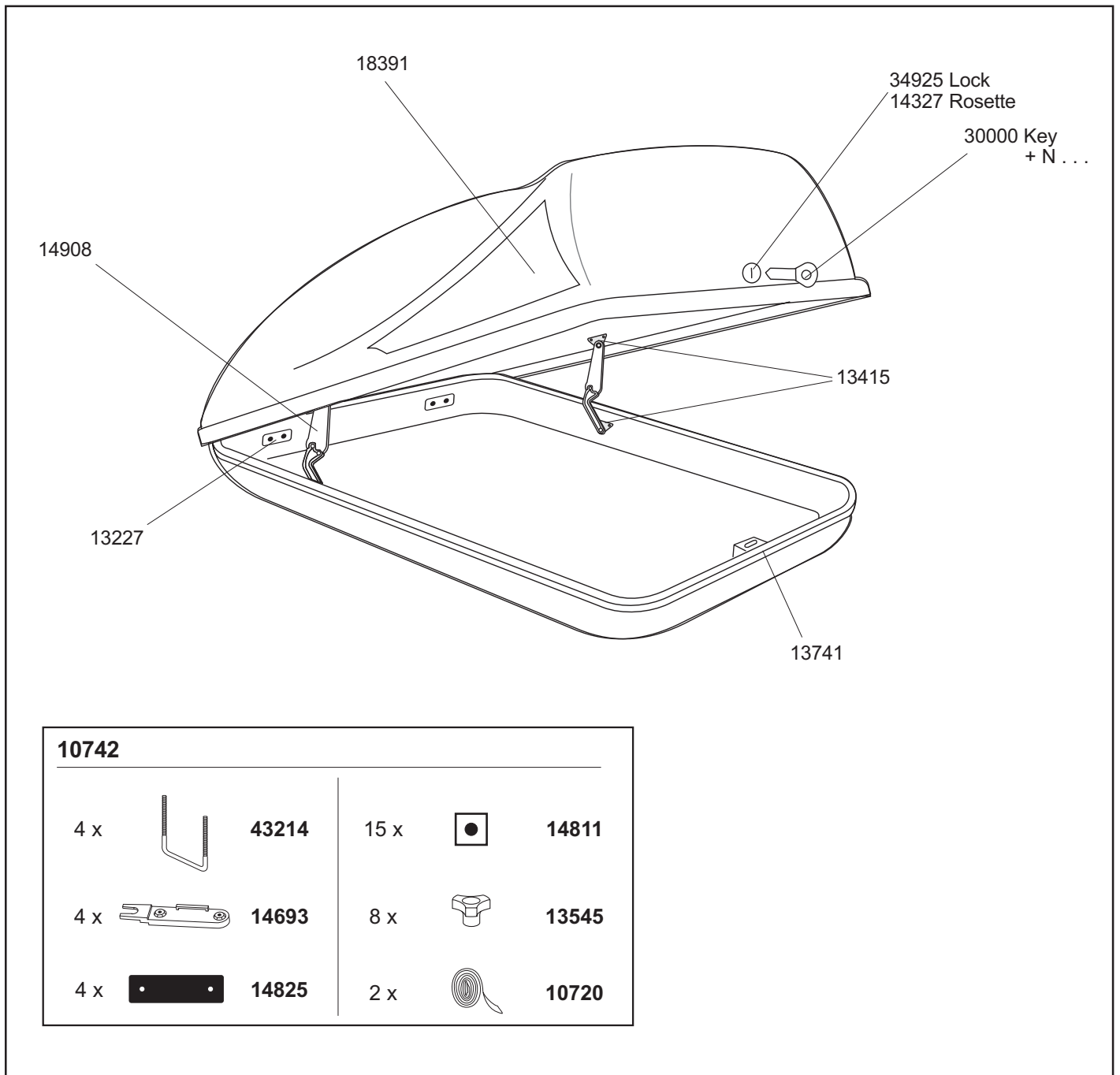
Dimensions/Weight:
Length: 1330 mm
Width: 865 mm
Height: 375 mm
Volume: 320 litres
Weight: 10 Kg

Load:
Maximum load: 50 kg. Observe vehicle manufacturers instructions and maximum roof load.



- Rear opening system.
- Special UV-protected and impact resistant box material.
- Dual-Force lid opener.
- TÜV/GS-approved.
- Rear locking system.
- 80 mm U-bolt mounting system, hole pattern front and rear.
- Featuring THULE's One Key System. 

THULE Ocean 80



Packaging

Product	EAN	Kg	L/W/H in cm
688	4002253681315	14	136/90/38

Product	Packs/Trailer
688	140